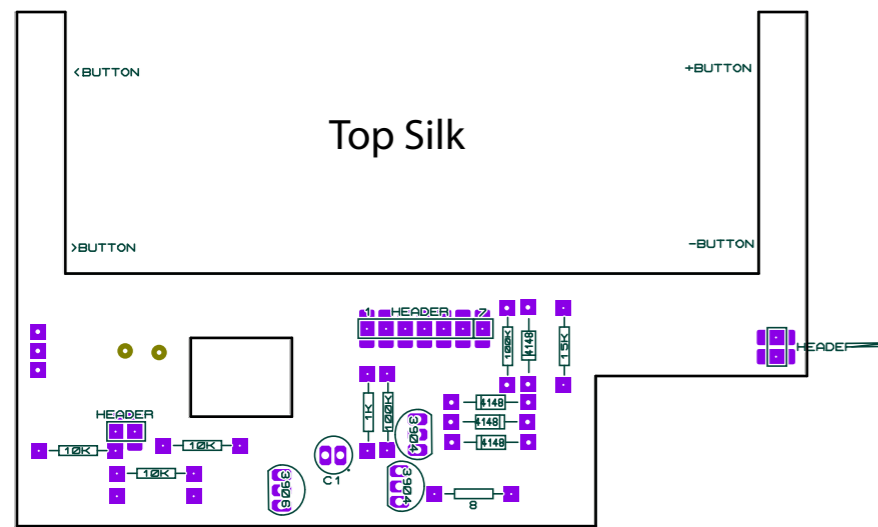
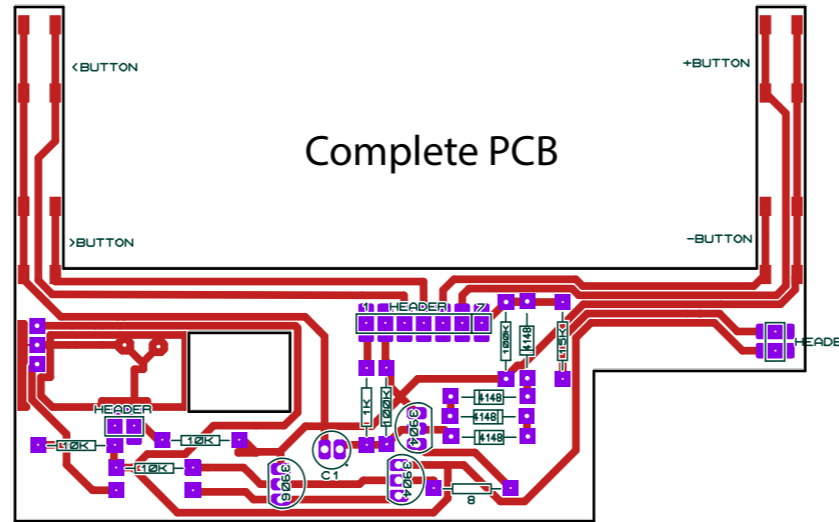


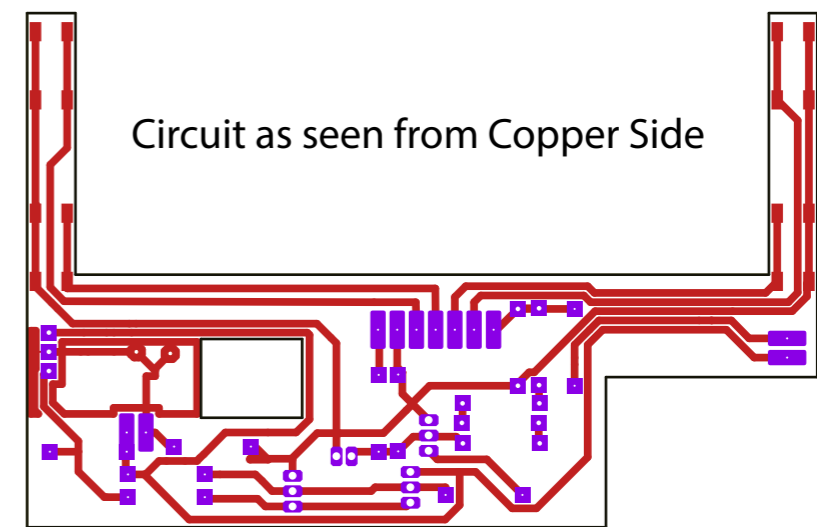
PCB Top



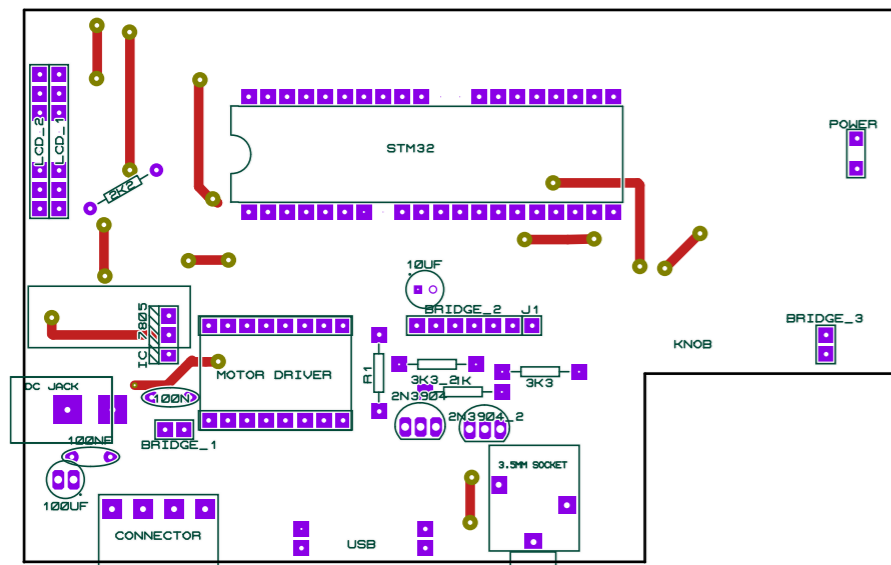
Complete PCB



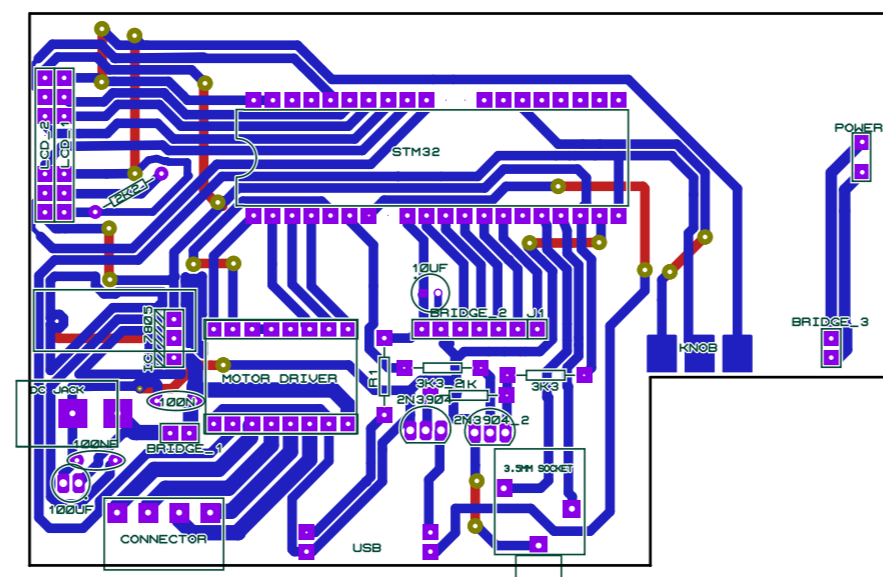
Circuit as seen from Copper Side



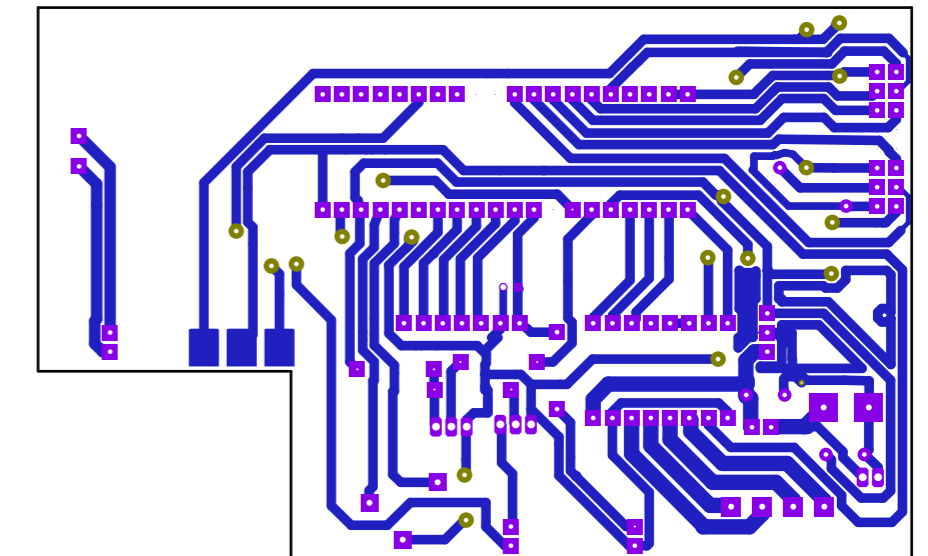
PCB Bottom



Complete PCB



Circuit as seen from PCB bottom



Drawing Scale: 1x

