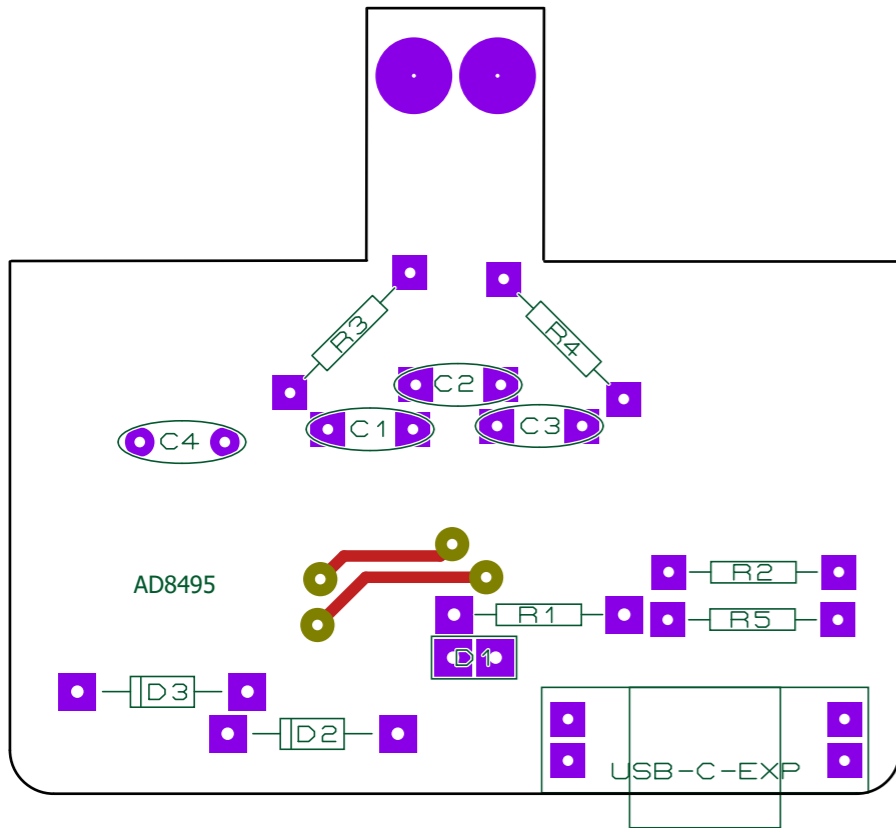
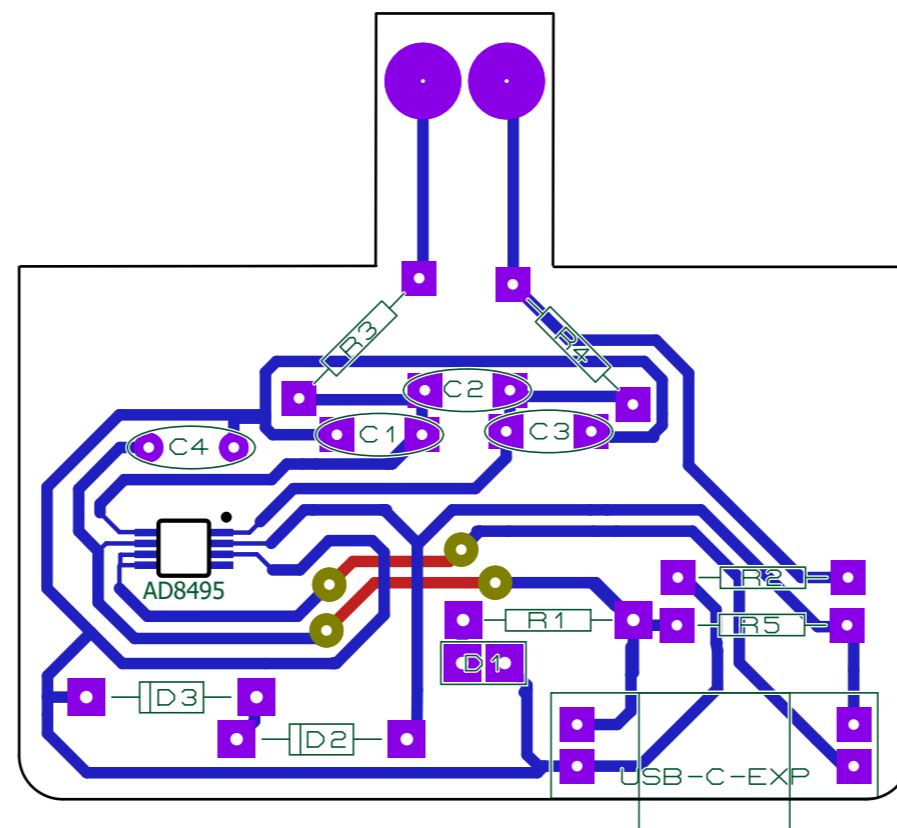


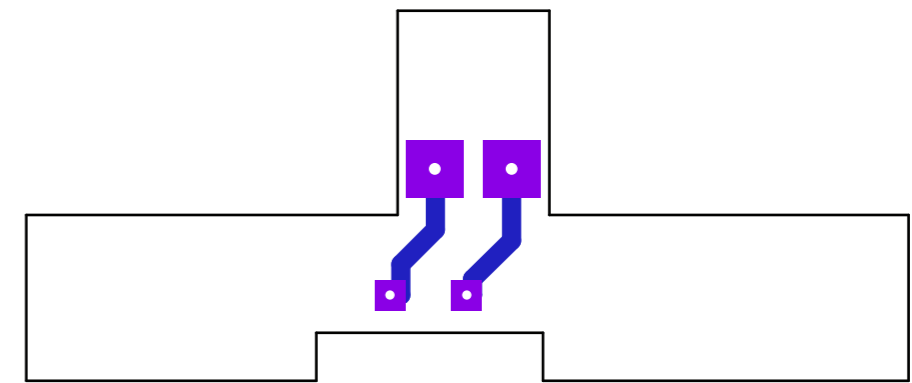
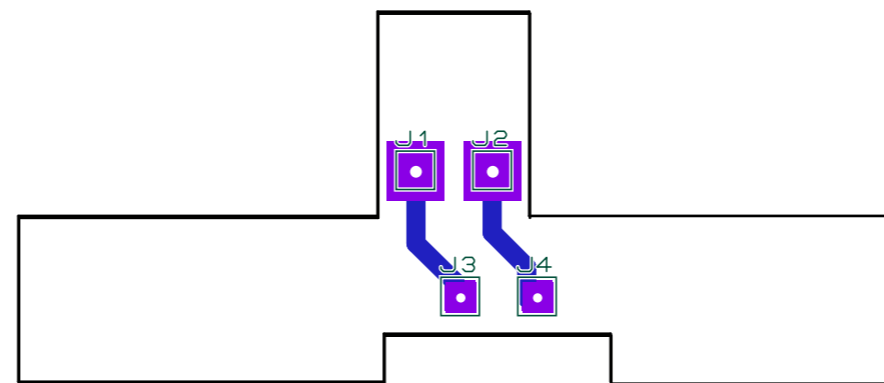
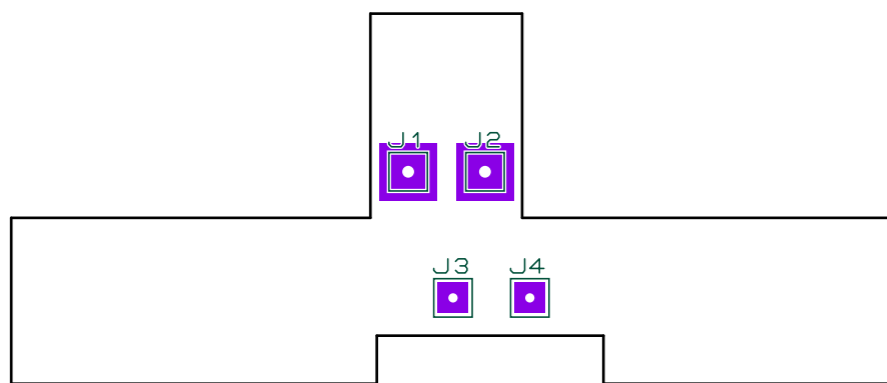
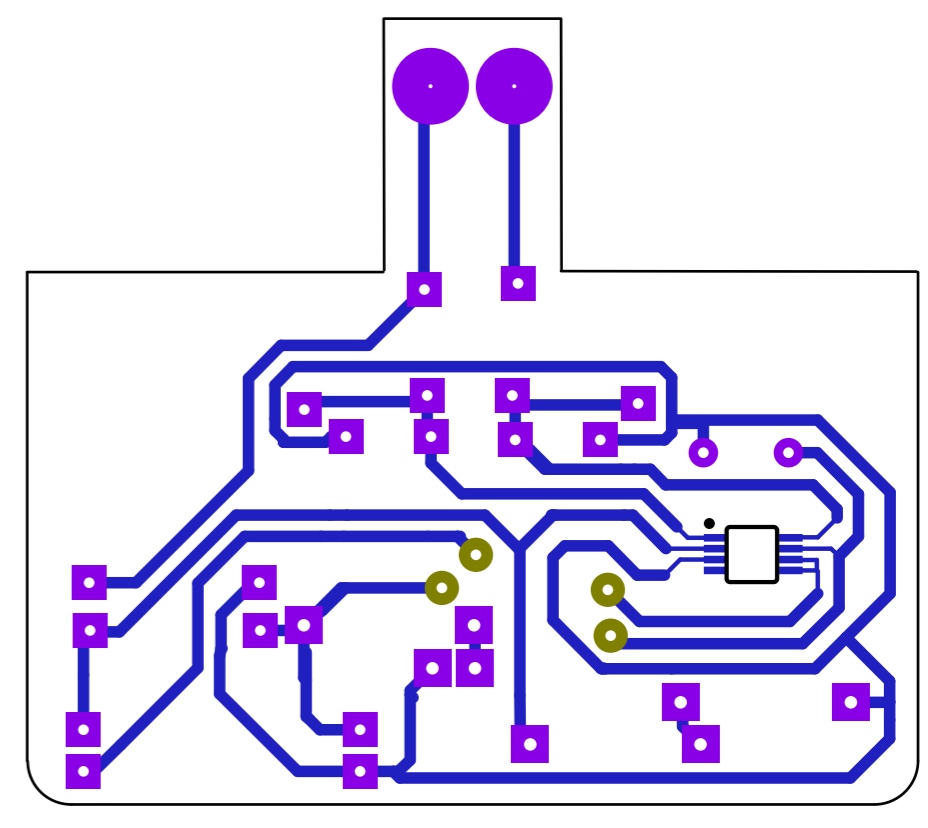
Top Silk



Complete PCB



Circuit as seen from PCB bottom



Drawing Scale: 2x

