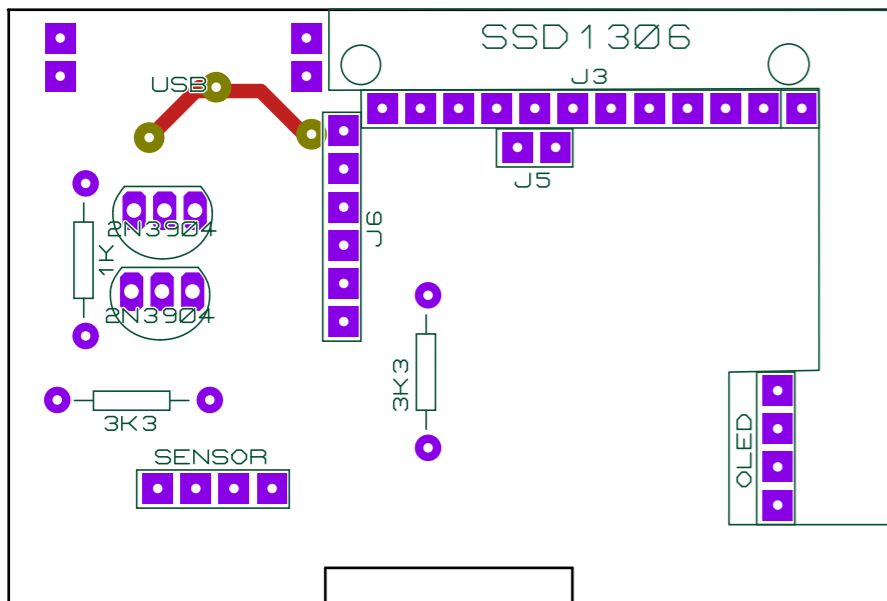
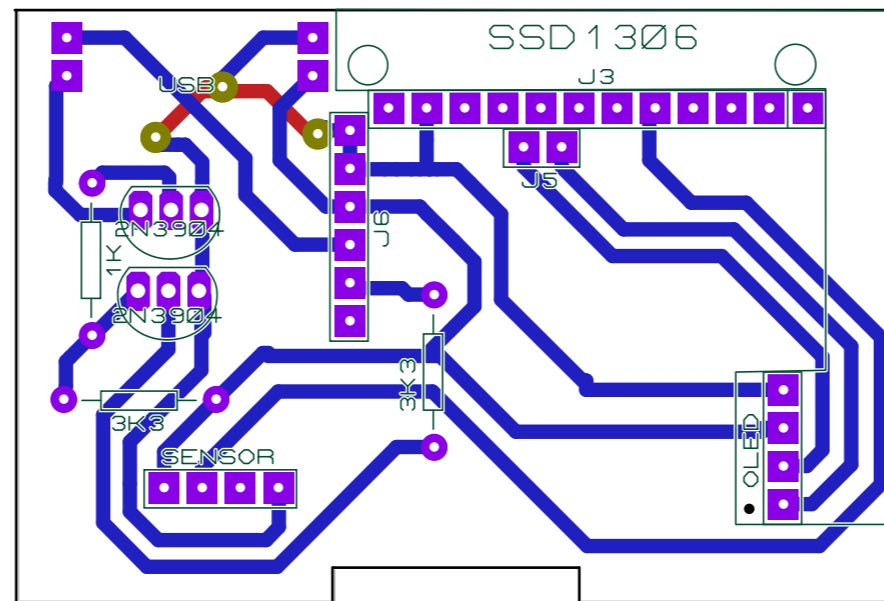


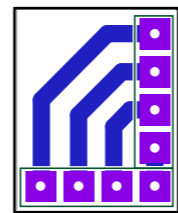
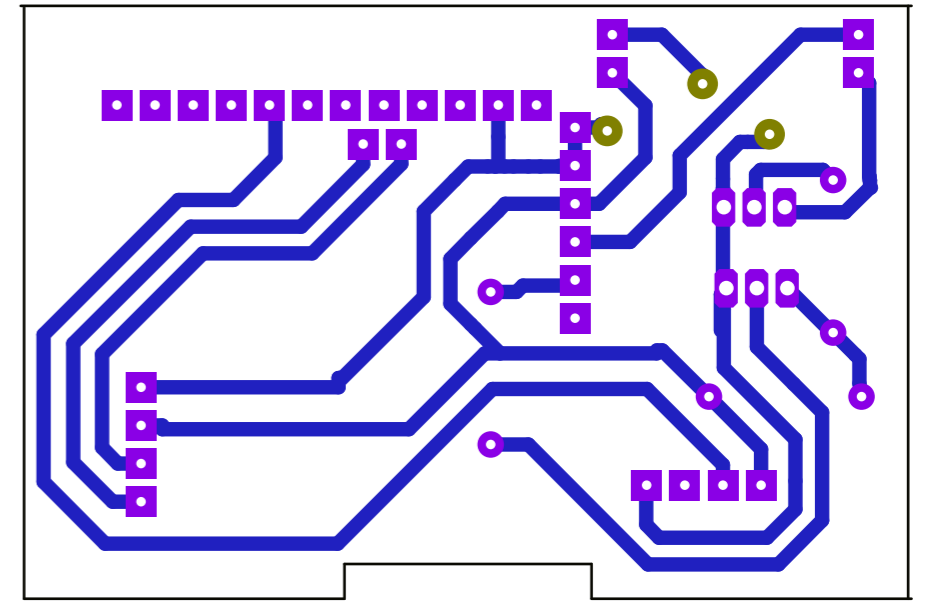
Top Silk



Complete PCB



Circuit as seen from PCB bottom



Complete Adapter PCB

Drawing Scale: 2x

