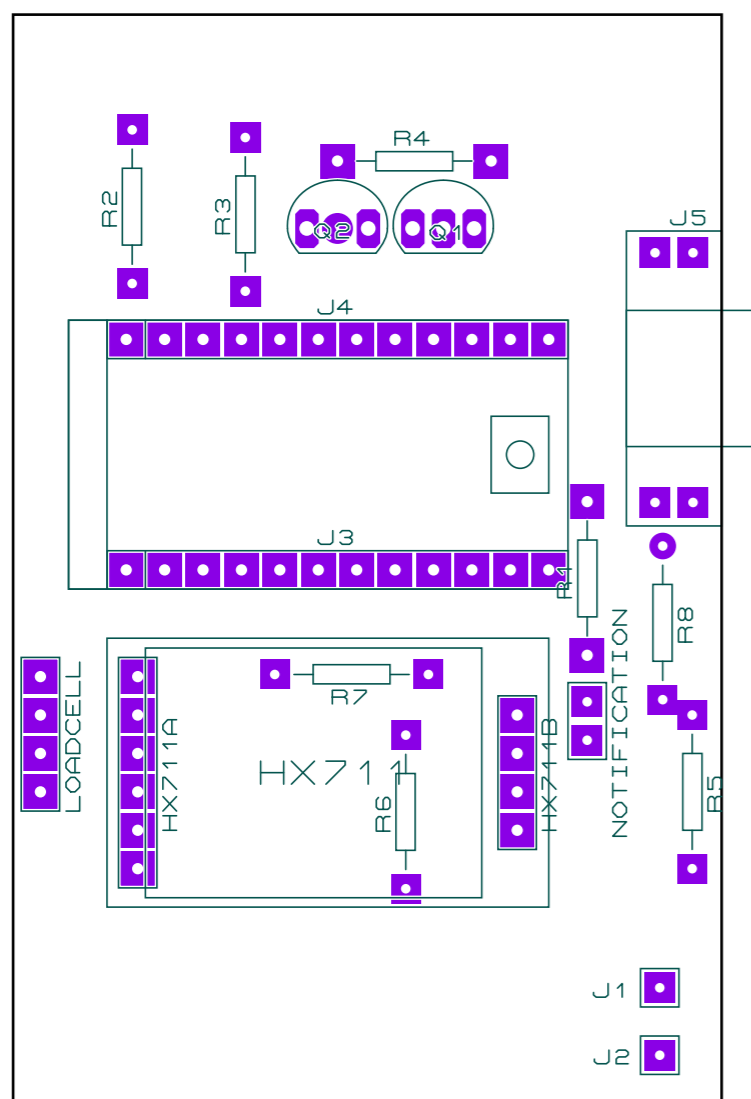
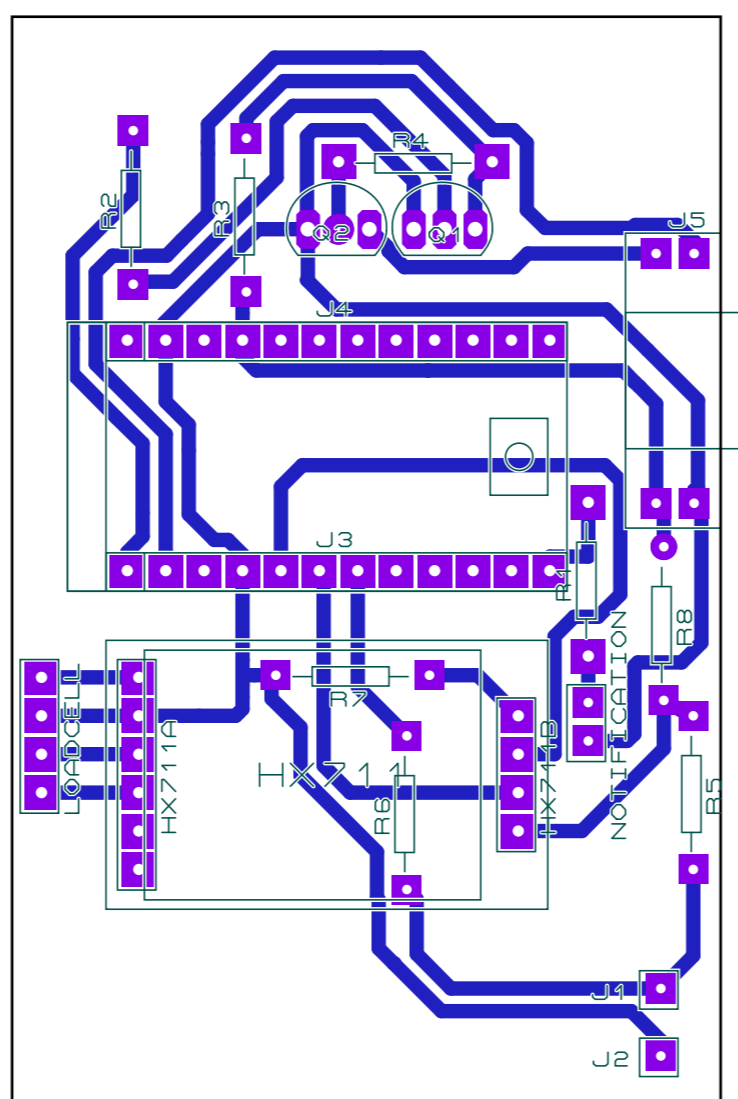


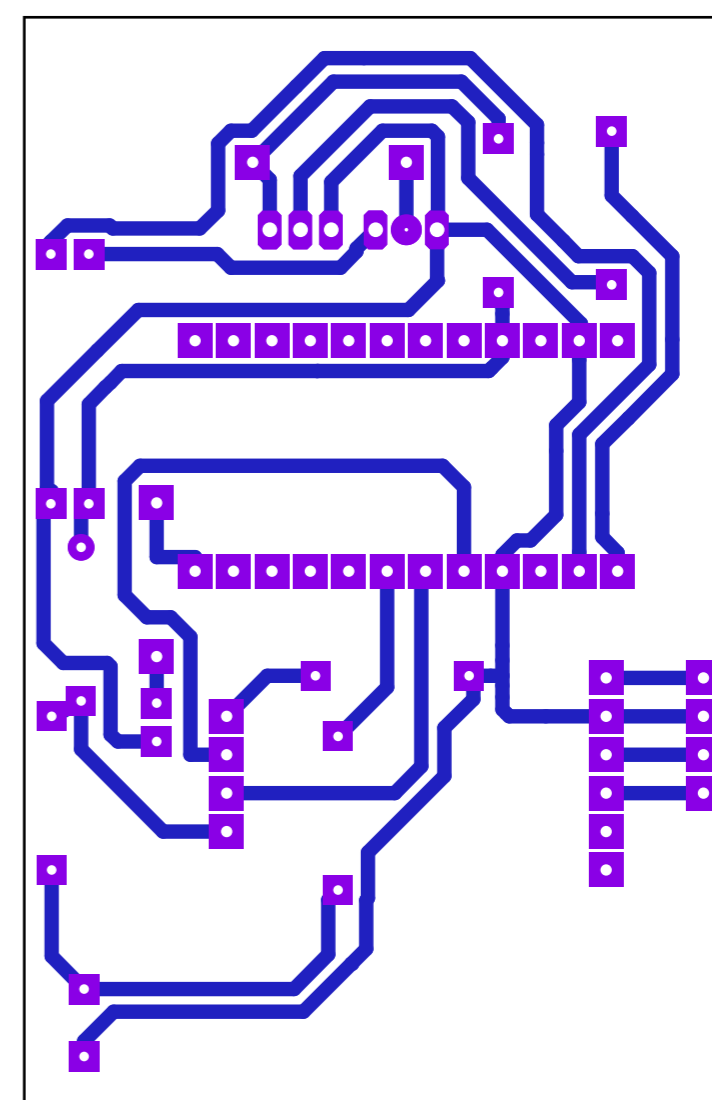
Top Silk



Complete PCB



Circuit as seen from PCB bottom



Note: Re-work HX711 Pin 15 to Vcc

Drawing Scale: 2x

