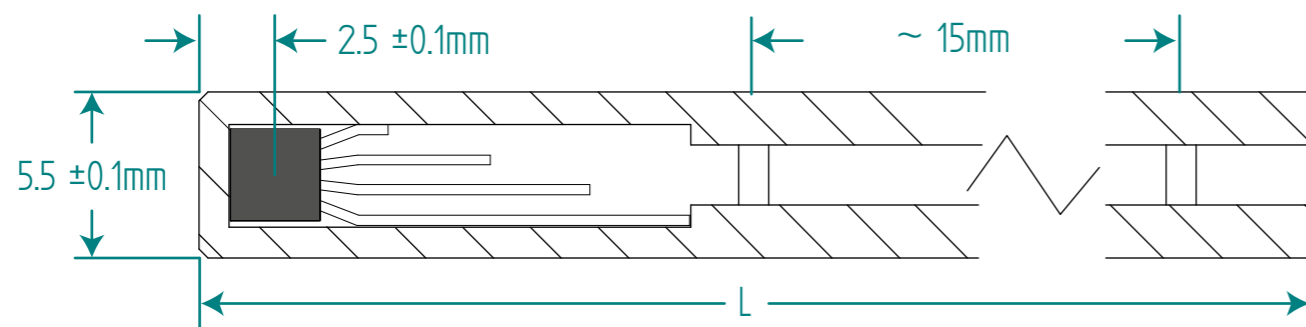
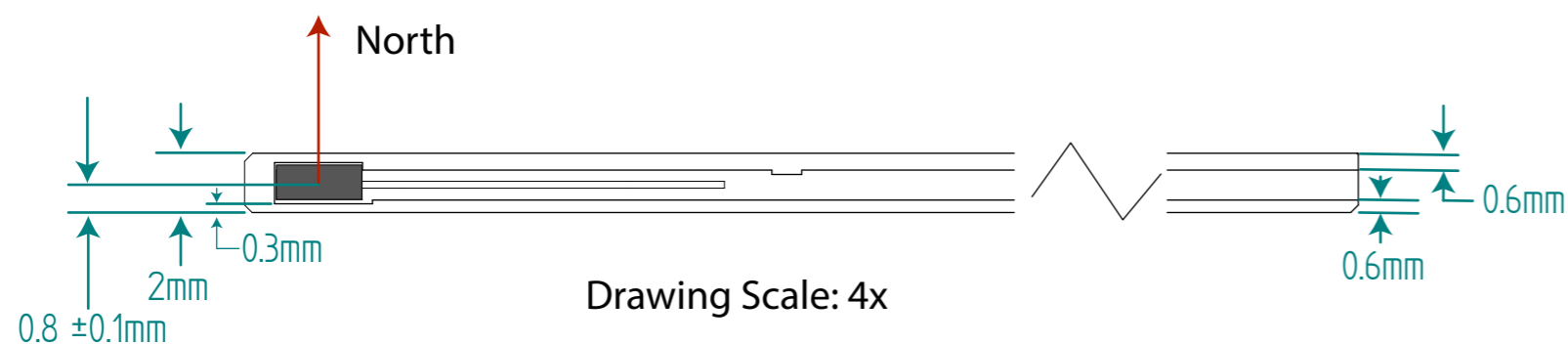
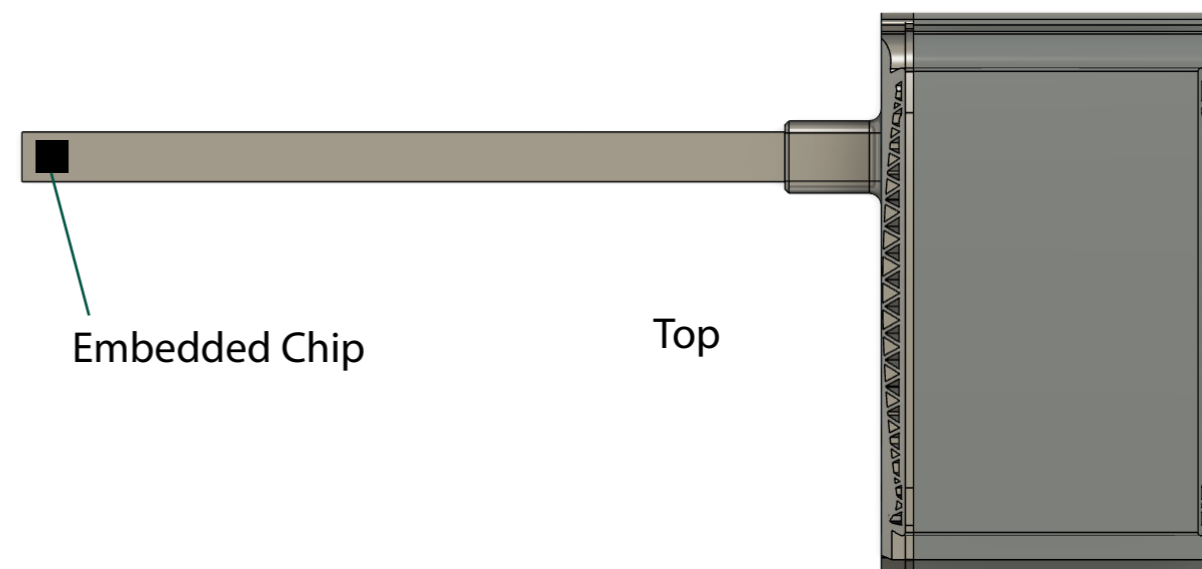


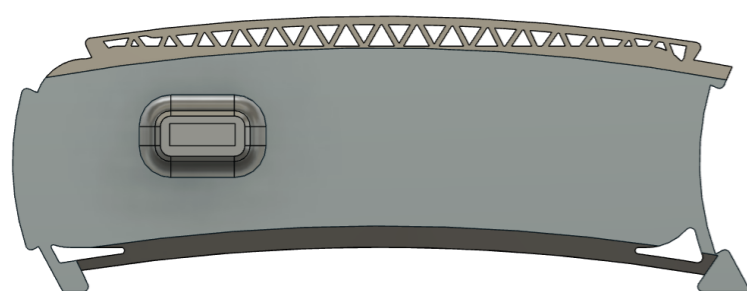
Probe Cross Section View



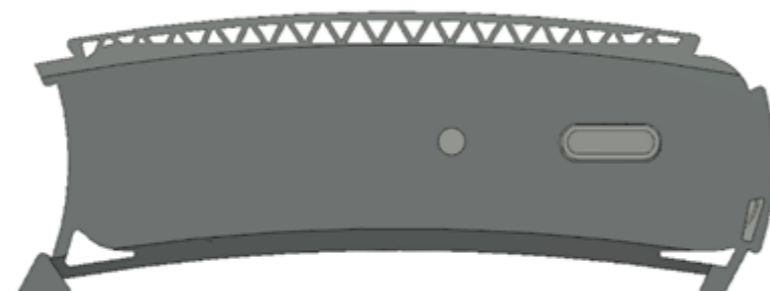
Drawing Scale: 4x



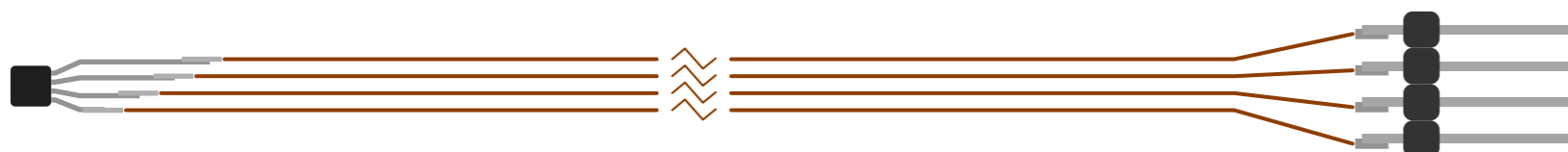
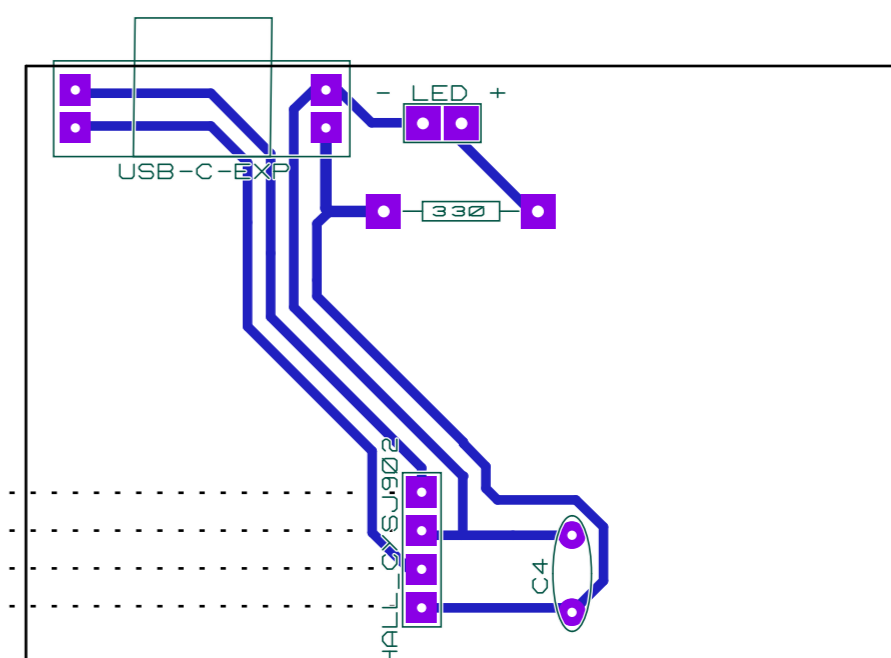
Drawing Scale: 4x



Front



Back



Complete Circuit with PCB

